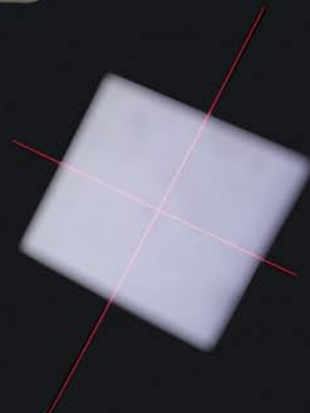


Portable X-Ray System

Light, Small and Powerful



SPL-HF-4.0/8.0
4 Kw / 8 Kw



- Constant potential HF 300 kHz operating on single phase
- Two point control by selecting kVp and mAs

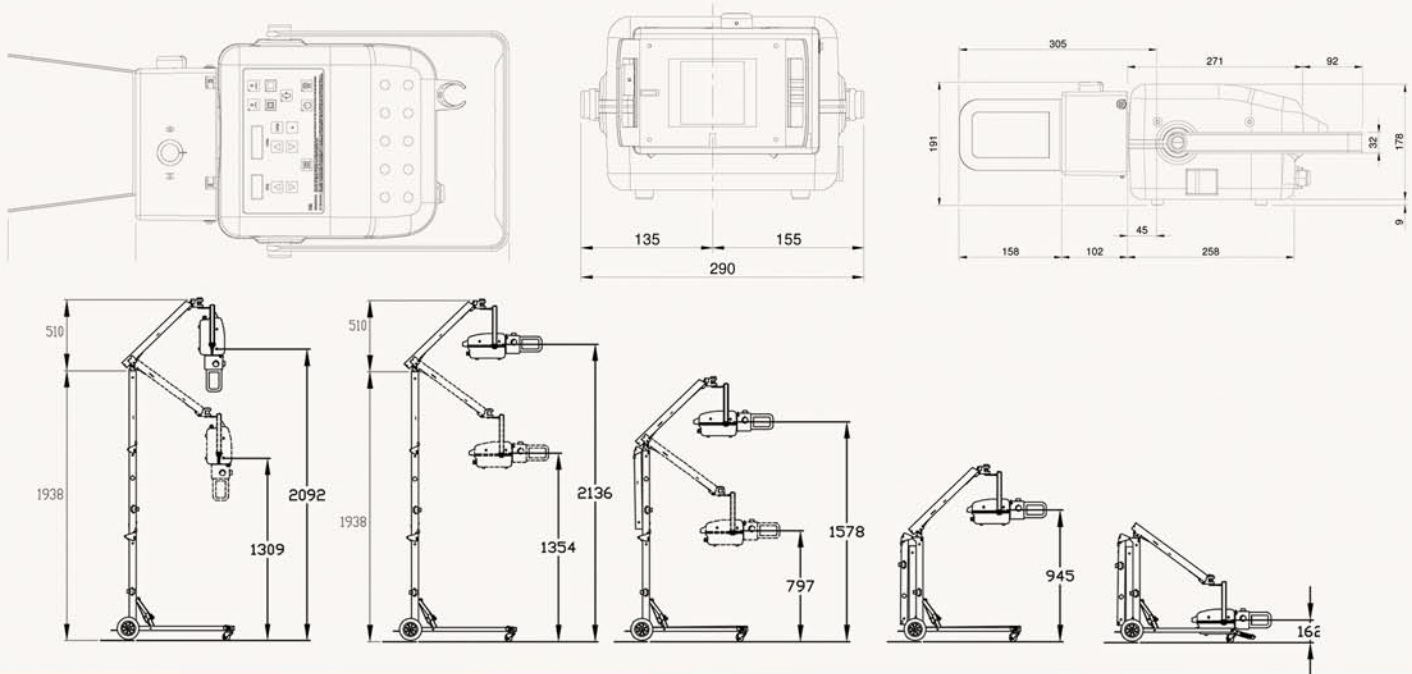
**-Foldable Stand with
wheels and trolley (Optional)**



Portable X-ray System

SPECIFICATIONS		High Frequency X-ray Generators	
MODELS	SPL-HF- 4.0 / SPL-HF - 8.0		
CONSTANT POTENTIAL kW RATINGS	4.0 / 8.0		
kVp RANGE in 1kVp STEPS accuracy	40 to 125 ± 5%		
HIGH FREQUENCY RIPPLE	300 kHz		
mA STATIONS	5, 6.4, 8, 10, 12.5, 16, 20, 25, 32, 40, 50, 64, 80, 100		
EXPOSURE TIME RANGE NUMBER OF STATIONS	0.001 - 10 seconds 41 (in 25% steps)		
mAs RANGE NUMBER OF STATIONS accuracy	0.1 - 250 mAs 34 (in 25% steps) 5%		
X-RAY TUBE Stationary Anode TWO Focal Spots: Anode Heat Storage Capacity Target Angle	Yes 0.6 mm - 1.5 mm 40.000 HU 12°	Yes 0.6 mm - 2.8 mm 76.000 HU 12°	
RED LASER POINTER	OPTIONAL		
POWER CORD EXPOSURE CORD	6 meters 3 meters		
LINE REGULATION	Single-Phase Line Automatic Regulation AUTOMATIC OUTPUT POWER ADAPTATION TO POWER LINE CONDITIONS		
LINE POWER REQUIREMENTS +/- 10% VAC (50/60Hz)	110 VAC - 240 VAC / 220 VAC - 240 VAC		
WEIGHTS	The X-ray unit = 15 Kg The foldable stand = 28 Kg		

DIMENSIONS



SEDECAL
C/ Pelaya, 13 - Pol. Ind. "Río de Janeiro"
28110 - Algete (Madrid-SPAIN)
Central Offices:
Tel: (34) 91 - 628 0544
Fax: (34) 902 190 385
Email: info@sedecal.com

SEDECAL USA Inc
230 Lexington Drive
Buffalo Grove, Illinois 60089
USA
Tel: 1 (847) 394 - 6960
Fax: 1 (847) 394 - 6966
Email: sales@sedecalusa.com

