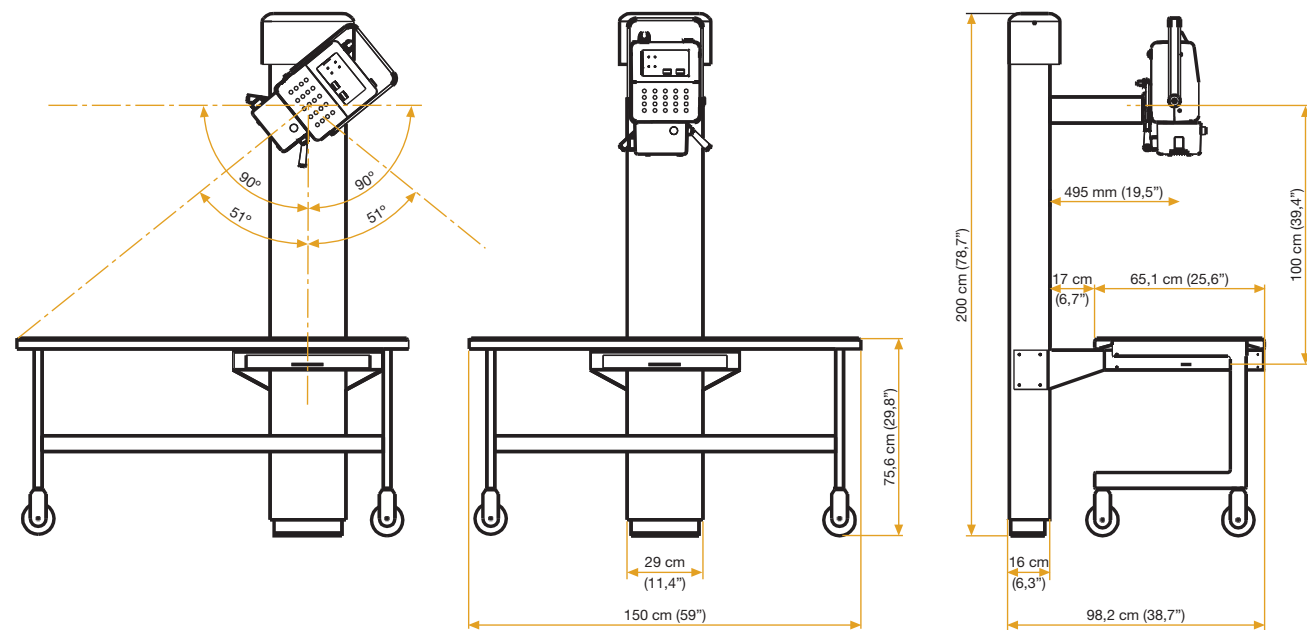


PERMANENT STOCK
FAST DELIVERY

Dual Vet-X Plus

SPECIFICATIONS

Maximum Power	8 kW (0,5 kW / 8,0 kW)
Inverter Frequency	300 kHz
Anode Voltage Range	40-110 kVp
mA Range	5-100 mA
Exposure Time	0,001-10 seconds
mAs Range	0,1-200 mAs
Focal Spots	0,6/2,8 mm
Anode Target Angle	12°
Maximum Output Current for 100 ms (60 kV)	(16 mA/270 mA)
Anode Maximum Heat Units	76 kHu



Specifications may change without prior notice

SEDECAL DUAL VET-X PLUS_Rev.1.2_0110_eng

8 kW, 300 kHz!

Dual Vet-X Plus



SEDECAL

C/ Pelaya, 13 - Polígono Industrial "Río de Janeiro"
28110 - Algete (Madrid-SPAIN)
Central Offices:
Tel.: (34) 91 - 628 0544 / 91 - 628 1592
Fax: (34) 91 - 628 0574
Email: marketing@sedecal.com

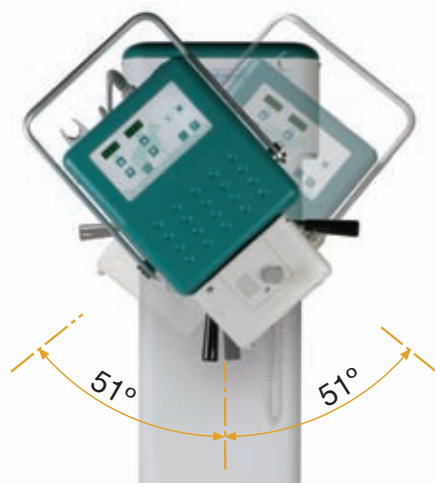
Factory:
Tel.: (34) 91 - 629 0721
Fax: (34) 91 - 629 0783
Email: manufacturing@sedecal.com

SEDECAL USA Inc

2920 N Arlington Heights Rd.
Arlington Heights, Illinois 60004
USA
Tel.: 1 (847) 394 - 6960
Fax: 1 (847) 394 - 6966
Email: sales@sedecalusa.com



SEDECAL

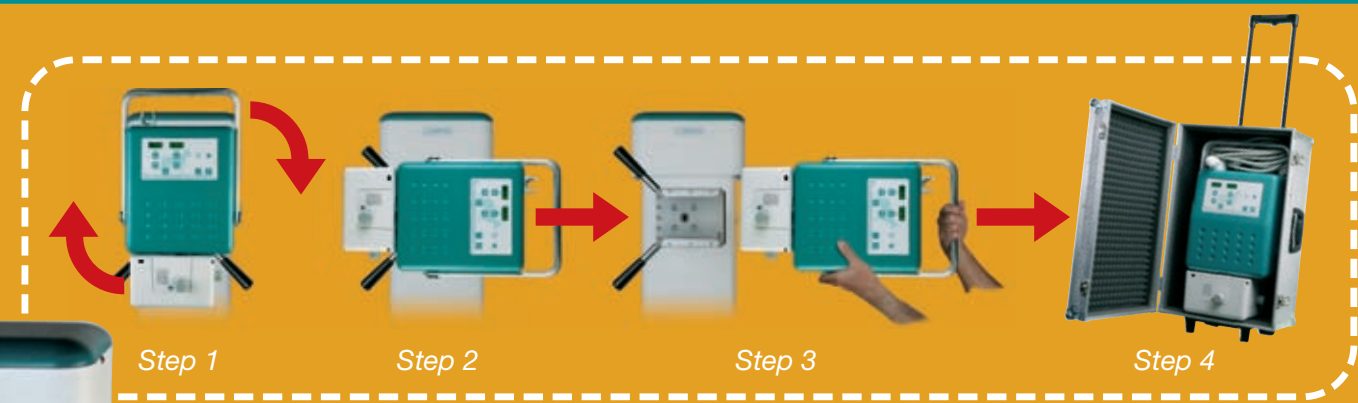


8 kW

300 kHz

Great Power

Its great Power 8 kW!!, makes this Portable X-Ray Unit **the most powerful in the market**. This feature provides the opportunity to explore any type of Pet at the Vet Clinic with **SHORTER EXPOSURE TIMES** than the rest of portable units in the marketplace.



Stationary and Portable

The "DUAL VET X-Plus" system combines the versatility of a Portable X-Ray Unit which enables outside exams with all the characteristics - Power and mechanics - stationary column & mobile table of a high range STATIONARY SYSTEM for use in VET CLINICS.



Marked grid cabinet

Grid cabinet table top with indication marks of different standard cassette sizes.



Tool free disassembly

The X-Ray Unit is dismantled from the column in a easy and fast way. **TOOL FREE DISASSEMBLY** - With just a turn of 45° in the Lock handle located at the back on the unit, the operator can easily remove it.



Portable

The transport Case (optional - ref. T-BOX) assures that the X-Ray Unit is always protected and easily driven to any place. Exposures in different environments.



Power Line

A maximum power of 8 kW is obtained in power lines of 20 Amperes. As well, exposures can be taken in power lines with less amperage (minimum 10 amperes).



Permanent stock / Fast Delivery

SEDECAL has recently implemented a manufacturing methodology that provides a permanent stock of the DUAL VET X-Plus. Fast delivery of this Unit is guaranteed.